

MURATA WIEDEMANN TOOLING





■ Ketec Precision Tooling Co., Ltd
Manufacturing CNC Punch Tooling



■ Ketec Precision Tooling Co., Ltd
Manufacturing Press Brake Tooling

KETEC CHINA SERVE THE WORLD

The biggest sheet metal tooling manufacturer in China

- National High Tech Enterprise
- Registered Capital: 50 Million RMB.
- Fix Assets: 150 Million RMB.
- Total factory area: 506,000 square feet (47,000 square meters).
- Annual Product Capacity: 1,200,000 sets for CNC punch press tooling; 20,000 sets for Press Brake Tooling.
- Over 300 high-quality employees in the company, KETEC have completed machining, EDM, heat treatment.
- National high-tech enterprise, features sheet metal technology R&D center.
- Obtains 18 national invention and new utility patent.
- Over 10,000 sheet metal enterprises in the world are using KETEC TOOLS
- 24 Direct sales in China and 18 KETEC Agents in the global countries.

- 1998 Sept. Founded Jiangnan Mold Tools Factory in Guangzhou.
Manufacturing stamping tooling.
- 2001 Aug. Established Ketec Precision Tooling Co.,Ltd.
Manufacturing CNC punch tooling and stamping tooling.
- 2004 Feb. Registered **KETEC**[®] trademark.
- 2004 Aug. ISO9000:2000 certified.
- 2004 Nov. Registered **KETEC**[®] as an international trademark.
- 2007 Dec. Registered enterprise value increasing to 5 Million RMB.
- 2008 Jan. Move to Mingzhu Industrial Park in Conghua Guangzhou with
approximately 323,000 square feet (30,000 square meters).
- 2008 Jan. Registered enterprise value increasing to 10 Million RMB.
- 2008 Mar. Awarded Guangdong Major Products certificate
for CNC punch tooling.
- 2008 Jun. Created guideline with permission from Standardization
Administration of People' s Republic of China for CNC Turret
Punch Tooling standard.
- 2010 Feb. Published JB/T 10928–2010, CNC Turret Punch Tooling standard
by China Ministry of Industry and Information.
Implemented in July 2010.
- 2010 Nov. ISO 9001:2008 Certified.
- 2011 Jun. Started selling TOP series thick turret tooling.
- 2011 Nov. Setup warehouse in Taicang Jiangsu.
- 2012 Mar. Registered enterprise value increasing to 50 Million RMB.
- 2012 Jul. Rated as National High Tech Enterprise.
Certification No: GR201244000059
- 2012 Aug. Second location completed in Industrial Nan Road
Conghua Guangzhou with approximately 183000 square feet
(17000 square meters). Manufacturing press brake tooling.
- 2012 Aug. Established KETEC Precision Tooling Inc. in USA.
- 2013 Oct. Setup warehouse in Tianjin.
- 2015 Oct. Honored the Integrity of Law–Abiding business model in Guangzhou.

CONTENTS

114 SERIES
Punch
Die
Stripper

P 1-P5

FORMING
TOOLS

P11-P17

114 Guide

P5

SHAPE
CLASSES

P18-P19

VULCAN SERIES
Punch
Die
Stripper

P6-P9

VULCAN
GUIDE ASS'Y

P10

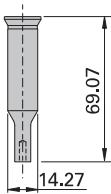
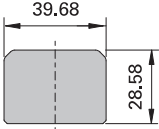
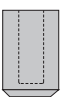


114 SERIES

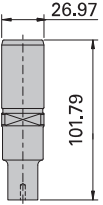
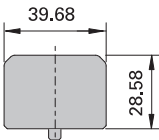
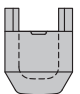
114 SERIES STANDARD TOOL

Part	Icon	Description	Code	Price
------	------	-------------	------	-------

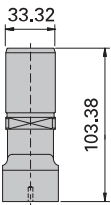
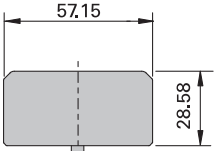
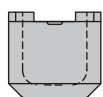
A STN (~12.7mm) [~1/2"]

Punch		Round	W1.AP1RO.
Die		Round (no pin)	W1.AD1RO.
		Round (Heavy Duty)	W1.AD3RO.
Stripper		Stripper (IA station)	W1.AS1
		Stripper (XA station)	W1.XS1

B STN (~25.4mm) [~1"]

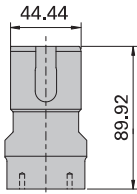
Punch		Round	W1.BP1RO.
		Square (8 locators)	W1.BP3SQ.
		Shape (4 locators)	W1.BP2**.
		Other (4 locators)	W1.BP2**.
Die		Round	W1.BD1RO.
		Shape	W1.BD2**.
		Others	W1.BD2**.
Stripper		Stripper	W1.BS1

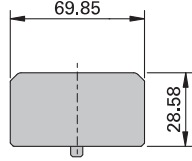
C STN (25.4~38.1mm) [1"~1-1/2"]


Punch		Round	W1.CP1RO.
		Square (8 locators)	W1.CP3SQ.
		Shape (4 locators)	W1.CP2**.
		Others (4 locators)	W1.CP2**.
Die		Round	W1.CD1RO.
		Shape	W1.CD2**.
		Others	W1.CD2**.
Stripper		Stripper	W1.CS1

Part	Icon	Description	Code	Price
------	------	-------------	------	-------

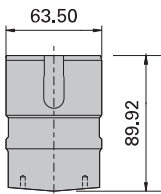
D STN (38.1~50.8mm) [1-1/2"~2"]

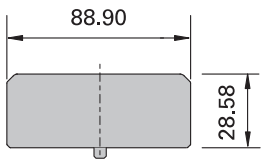
Punch		Round (0°)	W1.DP1RO.
		Square (0°,135°)	W1.DP3SQ.
		Shape (0°,90°)	W1.DP2**.
		Others (0°,90°)	W1.DP2**.


Die		Round	W1.DD1RO.
		Shape	W1.DD2**.
		Others	W1.DD2**.

Stripper		Stripper	W1.DS1
		Stripper (Shape)	W1.DS2

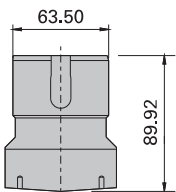
E STN (50.8~63.5mm) [2"~2-1/2"]

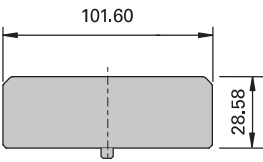
Punch		Round (0°)	W1.EP1RO.
		Square (0°,135°)	W1.EP3SQ.
		Shape (0°,90°)	W1.EP2**.
		Others (0°,90°)	W1.EP2**.


Die		Round	W1.ED1RO.
		Shape	W1.ED2**.
		Others	W1.ED2**.

Stripper		Stripper	W1.ES1
----------	---	----------	--------

F STN (63.5~76.2mm) [2-1/2"~3"]

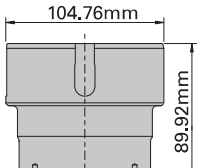
Punch		Round (0°)	W1.FP1RO.
		Square (0°,135°)	W1.FP3SQ.
		Shape (0°,90°)	W1.FP2**.
		Others (0°,90°)	W1.FP2**.

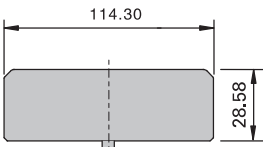
Die		Round	W1.FD1RO.
		Shape	W1.FD2**.
		Others	W1.FD2**.

Stripper		Stripper	W1.FS1
		Stripper (Shape)	W1.FS2

Part	Icon	Description	Code	Price
------	------	-------------	------	-------

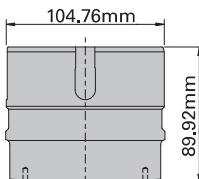
G STN (76.2~88.9mm) [3"~3-1/2"]

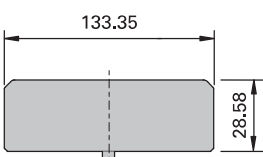
Punch		Round (0°)	W1.GP1RO.
		Square (0°, 135°)	W1.GP3SQ.
		Shape (0°, 90°)	W1.GP2**.
		Others (0°, 90°)	W1.GP2**.

Die		Round	W1.GD1RO.
		Shape	W1.GD2**.
		Others	W1.GD2**.

Stripper		Stripper	W1.GS1
----------	---	----------	--------

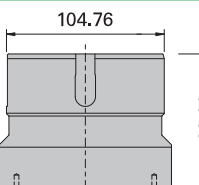
H STN (88.9~104.8mm) [3-1/2"~4-1/5"]

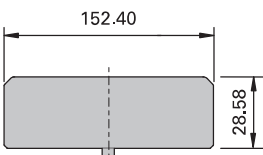
Punch		Round (0°)	W1.HP1RO.
		Square (0°, 135°)	W1.HP3SQ.
		Shape (0°, 90°)	W1.HP2**.
		Others (0°, 90°)	W1.HP2**.

Die		Round	W1.HD1RO.
		Shape	W1.HD2**.
		Others	W1.HD2**.

Stripper		Stripper	Not supply
----------	---	----------	------------

J STN (104.8~120.65mm) [4-1/5"~4-3/4"]

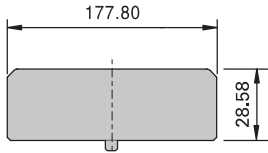
Punch		Round (0°)	W1.JP1RO.
		Square (0°, 135°)	W1.JP3SQ.
		Shape (0°, 90°)	W1.JP2**.
		Others (0°, 90°)	W1.JP2**.

Die		Round	W1.JD1RO.
		Shape	W1.JD2**.
		Others	W1.JD2**.

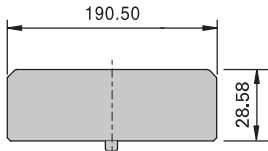
Stripper		Stripper (shape)	W1.JS2
----------	---	------------------	--------

Part	Icon	Description	Code	Price
------	------	-------------	------	-------

K STN (120.65~139.7mm) [4-3/4"~5-1/2"]

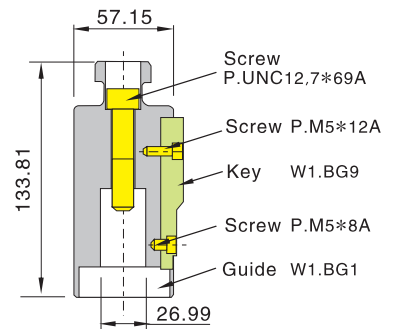
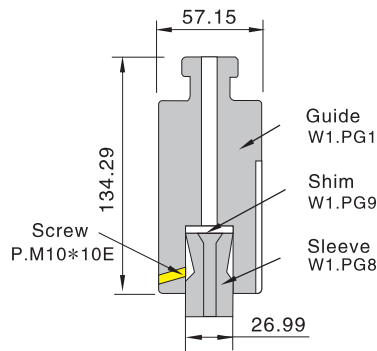
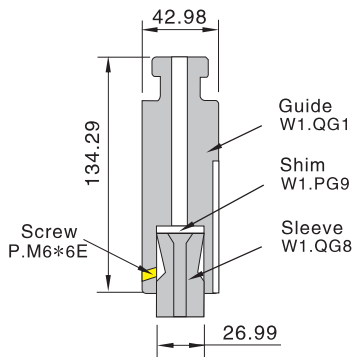
Die		Round	W1.KD1RO.
		Shape	W1.KD2**.
		Other	W1.KD2**.

L STN (139.7~152.4mm) [5-1/2"~6"]

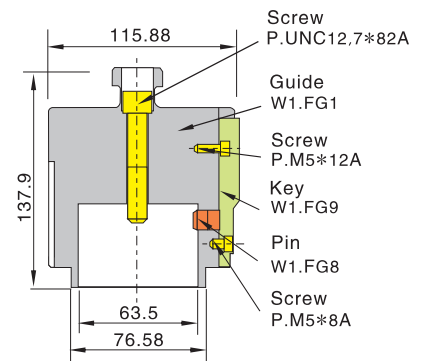
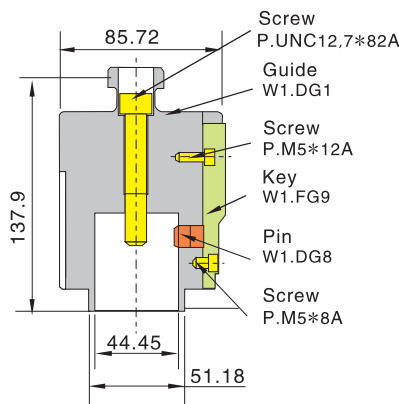
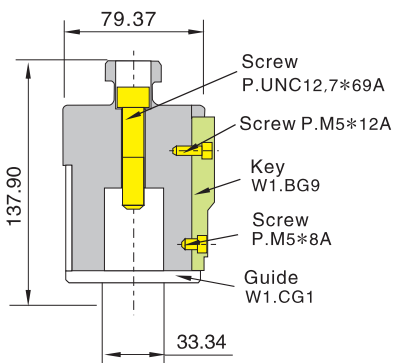
Die		Round	W1.LD1RO.
		Shape	W1.LD2**.
		Other	W1.LD2**.

114 Guide

XA STN	W1.QG1	PRICE	IA STN	W1.PG1	PRICE	B STN	W1.BG1	PRICE
--------	--------	-------	--------	--------	-------	-------	--------	-------



C STN	W1.CG1	PRICE	D STN	W1.DG1	PRICE	E,F STN	W1.FG1	PRICE
-------	--------	-------	-------	--------	-------	---------	--------	-------





VULCAN SERIES

VULCAN SERIES STANDARD TOOL

Part Icon Description Code Price

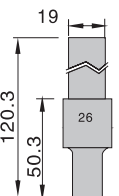
X STN (~12.7mm) [~1/2"]

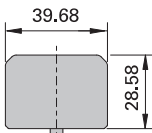
Punch		Round	W3.XP1RO.
-------	---	-------	-----------

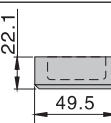
Die		Round Round (Heavy Duty)	W1.AD1RO. W1.AD3RO
-----	---	-----------------------------	-----------------------

Stripper		Round	W3.XS1RO.
----------	---	-------	-----------

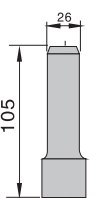
AB STN (~25.4mm) [~1"]

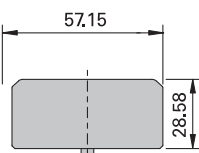
Punch		Round (0°) Square (0°, 135°) Shape (0°, 90°) Others (0°, 90°)	W3.BP1RO. W3.BP3SQ. W3.BP2**. W3.BP2**.
-------	--	--	--

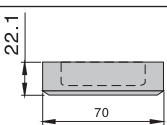
Die		Round Square Others	W1.BD1RO. W1.BD2**. W1.BD2**.
-----	---	---------------------------	-------------------------------------

Stripper		Round Square Others	W3.BS1RO. W3.BS1**. W3.BS1**.
----------	---	---------------------------	-------------------------------------

C STN (25.4~38.1mm) [1"~1-1/2"]

Punch		Round (0°) Square (0°, 135°) Shape (0°, 90°) Others (0°, 90°)	W3.CP1RO. W3.CP3SQ. W3.CP2**. W3.CP2**.
-------	---	--	--

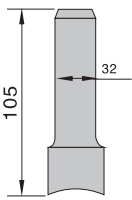
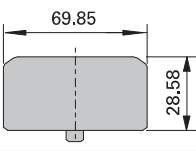
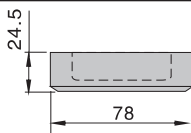
Die		Round Square Others	W1.CD1RO. W1.CD2**. W1.CD2**.
-----	---	---------------------------	-------------------------------------

Stripper		Round Square Others	W3.CS1RO. W3.CS1**. W3.CS1**.
----------	---	---------------------------	-------------------------------------

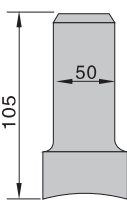
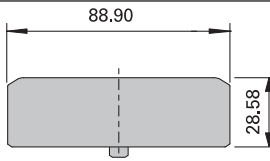
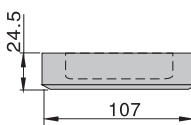
VULCAN SERIES STANDARD TOOL

Part Icon Description Code Price

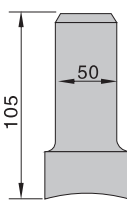
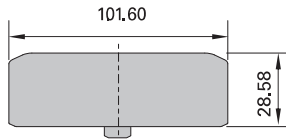
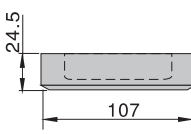
D STN (38.1~50.8mm) [1-1/2"~2"]

Punch		Round (0°)	W3.DP1RO.
		Square (0°, 135°)	W3.DP3SQ.
		Shape (0°, 90°)	W3.DP2**.
		Others (0°, 90°)	W3.DP2**.
Die		Round	W1.DD1RO.
		Square	W1.DD2**.
		Others	W1.DD2**.
Stripper		Round	W3.DS1RO.
		Square	W3.DS1**.
		Others	W3.DS1**.

E STN (50.8~63.5mm) [2"~2-1/2"]

Punch		Round (0°)	W3.EP1RO.
		Square (0°, 135°)	W3.EP3SQ.
		Shape (0°, 90°)	W3.EP2**.
		Others (0°, 90°)	W3.EP2**.
Die		Round	W1.ED1RO.
		Square	W1.ED2**.
		Others	W1.ED2**.
Stripper		Round	W3.FS1RO.
		Square	W3.FS1**.
		Others	W3.FS1**.

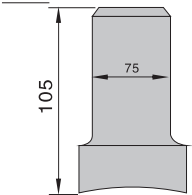
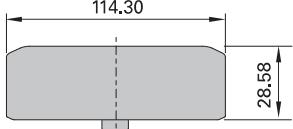
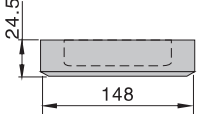
F STN (63.5~76.2mm) [2-1/2"~3"]

Punch		Round (0°)	W3.FP1RO.
		Square (0°, 135°)	W3.FP3SQ.
		Shape (0°, 90°)	W3.FP2**.
		Others (0°, 90°)	W3.FP2**.
Die		Round	W1.FD1RO.
		Square	W1.FD2**.
		Others	W1.FD2**.
Stripper		Round	W3.FS1RO.
		Square	W3.FS1**.
		Others	W3.FS1**.

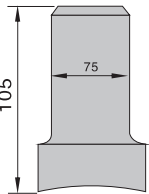
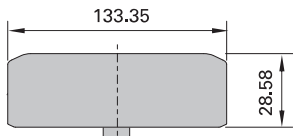
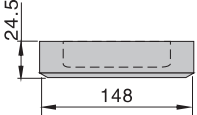
VULCAN SERIES STANDARD TOOL

Part Icon Description Code Price

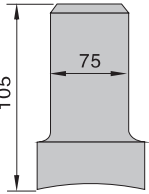
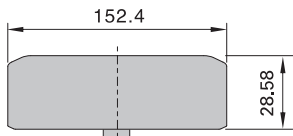
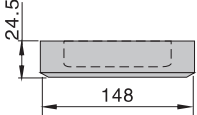
G STN (76.2~88.9mm) [3"~3-1/2"]

Punch		Round (0°)	W3.GP1RO.
		Square (0°, 135°)	W3.GP3SQ.
		Shape (0°, 90°)	W3.GP2**.
		Others (0°, 90°)	W3.GP2**.
Die		Round	W1.GD1RO.
		Square	W1.GD2**.
		Others	W1.GD2**.
Stripper		Round	W3.JS1RO.
		Square	W3.JS1**.
		Others	W3.JS1**.

H STN (88.9~104.8mm) [3-1/2"~4"]

Punch		Round (0°)	W3.HP1RO.
		Square (0°, 135°)	W3.HP3SQ.
		Shape (0°, 90°)	W3.HP2**.
		Others (0°, 90°)	W3.HP2**.
Die		Round	W1.HD1RO.
		Square	W1.HD2**.
		Others	W1.HD2**.
Stripper		Round	W3.JS1RO.
		Square	W3.JS1**.
		Others	W3.JS1**.

J STN (104.8~120.65mm) [4"~4-1/2"]

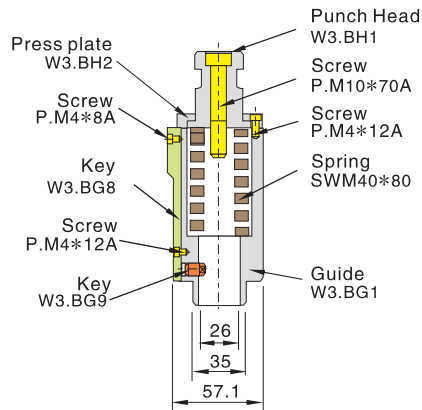
Punch		Round (0°)	W3.JP1RO.
		Square (0°, 135°)	W3.JP3SQ.
		Shape (0°, 90°)	W3.JP2**.
		Others (0°, 90°)	W3.JP2**.
Die		Round	W1.JD1RO.
		Square	W1.JD2**.
		Others	W1.JD2**.
Stripper		Round	W3.JS1RO.
		Square	W3.JS1**.
		Others	W3.JS1**.

VULCAN HOLDER

A, B STN

W3.BC1

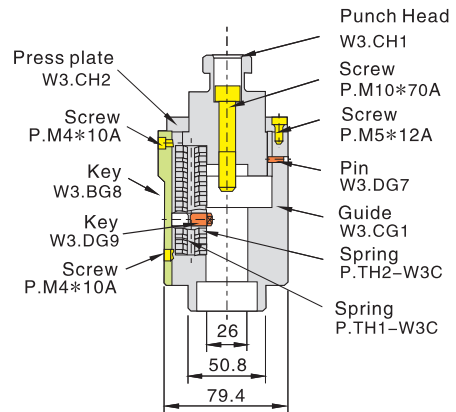
PRICE



C STN

W3.CC1

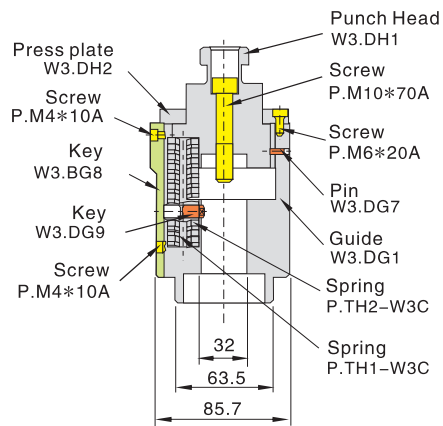
PRICE



D STN

W3.DC1

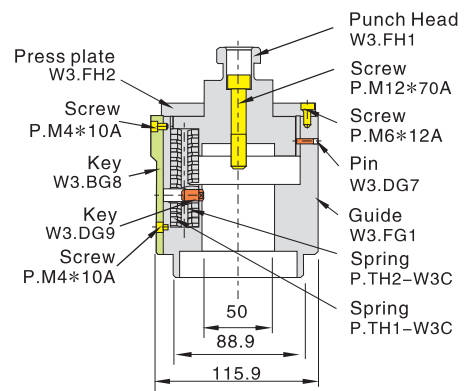
PRICE



E, F STN

W3.FC1

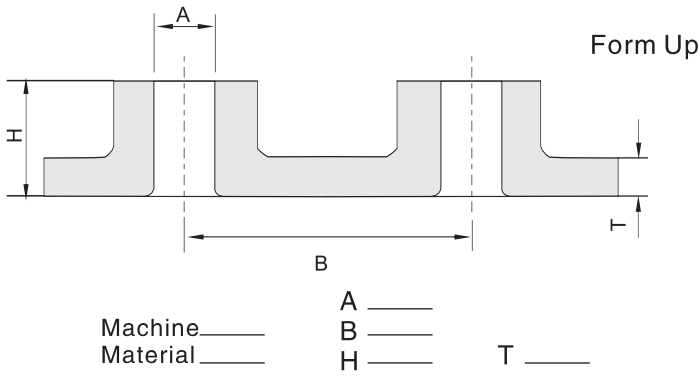
PRICE





FORMING TOOLS

EXTRUSION TAPPING



Prepunch size (Stainless steel) unit: mm [inch]

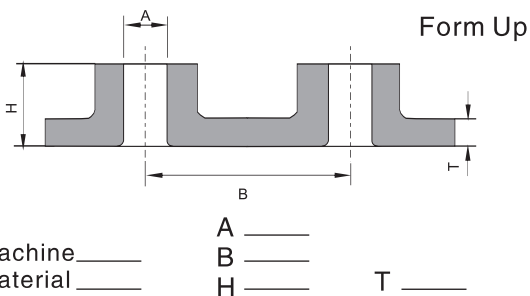
Extrusion		Thickness: T			
Size	ØA	0.6 [0.02]	0.8 [0.03]	1.0 [0.04]	1.2 [0.05]
M2.6	2.21 [0.09]	1.3 [0.05]	1.3 [0.05]	1.3 [0.05]	
M3	2.60 [0.10]	1.3 [0.05]	1.3 [0.05]	1.6 [0.06]	1.8 [0.07]
M4	3.40 [0.13]		2.0 [0.08]	2.0 [0.08]	2.0 [0.08]
M5	4.30 [0.17]			2.3 [0.09]	2.3 [0.09]
M6	5.10 [0.20]			3.0 [0.12]	3.0 [0.12]

- Need prepunch
- Give tool enough time to strip
- Replaceable insert design on extrusion
- Form Up & Form Down
- Max. thickness
 - Mild steel: 2.3mm [0.09"]
 - Aluminum: 2.0mm [0.08"]
 - Stainless: 1.2mm [0.05"]

Prepunch size (Mild steel, Aluminum) unit: mm [inch]

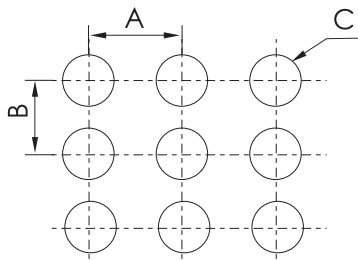
Extrusion		Thickness: T			
Size	ØA	0.6 [0.02]	0.8 [0.03]	1.0 [0.04]	1.2 [0.05]
M2.6	2.21 [0.09]	1.3 [0.05]	1.3 [0.05]	1.3 [0.05]	
M3	2.60 [0.10]	1.3 [0.05]	1.3 [0.05]	1.6 [0.06]	1.8 [0.07]
M4	3.40 [0.13]		2.0 [0.08]	2.0 [0.08]	2.0 [0.08]
M5	4.30 [0.17]			2.3 [0.09]	2.3 [0.09]
M6	5.10 [0.20]			3.0 [0.12]	3.0 [0.12]

EXTRUSION



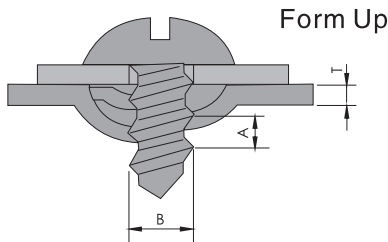
- Need prepunch
- Form Up & Form Down
- Give tool enough time to strip
- Max. thickness
 - Mild steel: 2.0mm [0.08"]
 - Aluminum: 2.0mm [0.08"]
 - Stainless: 1.2mm [0.05"]
- Forming height: $H \geq 2T$

CLUSTER



Machine _____ A _____ C _____
 Material _____ B _____ T _____

- Space of holes must be over 3.2mm [0.13"] or 2T
- Please fill in the above form

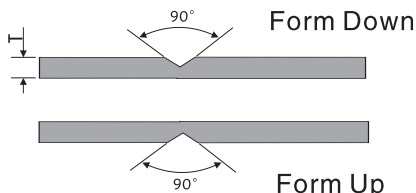


Machine _____ A _____
 Material _____ B _____
 T _____



THREAD FORM

- Form Up & Form Down
- Thickness range: 0.5mm~1.2mm [0.02"~0.05"]
- Please fill in the left form

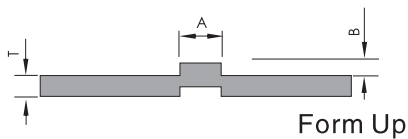


Machine _____ T _____
 Material _____

- Forbid punching without sheet
- Adjust the height of the tool to change the depth when punching
- Form Up & Form Down
- Angle: 90 degree, Max. thickness: 6.0mm [0.24"]



CENTERPOINT



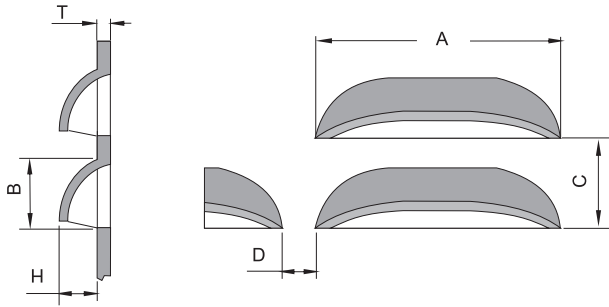
Machine _____ A _____ T _____
 Material _____ B _____

- Form Up & Form Down
- Max. B size: 0.6T



HALF SHEAR

CLOSE LOUVER



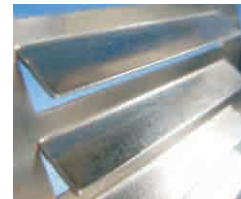
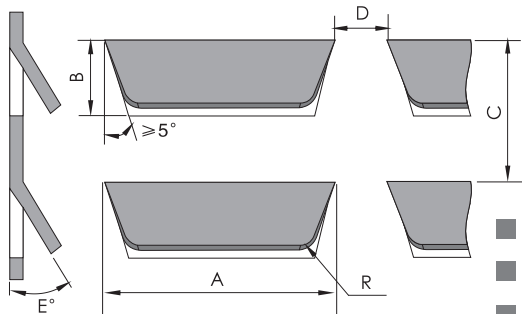
Machine _____
Material _____

A _____ D _____
B _____ H _____
C _____ T _____

- Tooling is made for specific sheet metal thickness
- Consider the moving direction of the material when programing
- Give tool enough time to strip
- Adjust length without shim, replaceable insert
- Form up only



OPEN LOUVER

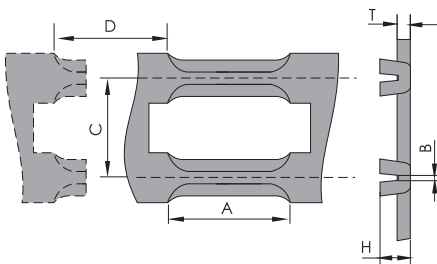


Machine _____
Material _____

A _____ D _____
B _____ E _____
C _____ T _____ R _____

- Tooling is made for specific sheet metal thickness
- Consider the moving direction of the material when programing
- Give tool enough time to strip
- Adjust length without shim, replaceable insert
- Form up only

CARD GUIDE

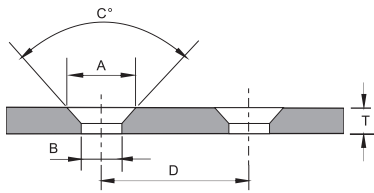


Machine _____
Material _____

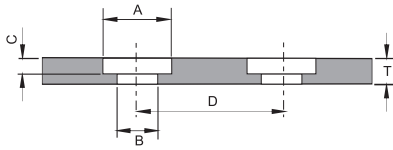
A _____ D _____
B _____ H _____
C _____ T _____

- Tooling is made for specific sheet metal thickness
- Adjust length without shim, replaceable insert
- Forming Height $\leq 2 T$, otherwise will be deformation easily

COUNTERSINK



Machine _____ A _____ D _____
 Material _____ B _____ C _____ T _____

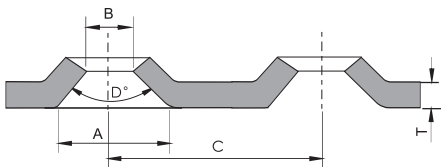


Machine _____ A _____ D _____
 Material _____ B _____ C _____ T _____

- Need prepunch
- Adjust the prepunch size to get different depth
- Form up & Form down
- Min. thickness: $T \geq 1.0\text{mm}$ [0.04"]

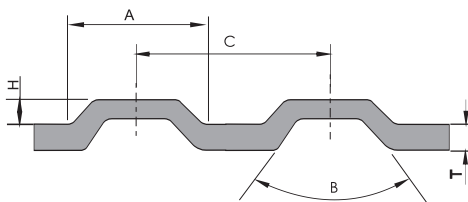


EMBOSS COUNTERSINK



Machine _____ A _____ D _____
 Material _____ B _____ C _____ T _____

- Suggest using prepunch
- Form up only



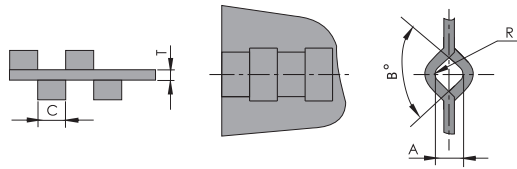
Machine _____ A _____ H _____
 Material _____ B _____ C _____ T _____

- Escape clamp or punching hole
- Round and Shape are available
- Form up & Form down

EMBOSS



THREAD LOOP



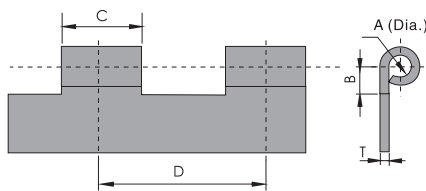
Machine _____
Material _____

A _____
B _____
C _____

R _____
T _____

- Angle B = 90°
- Please fill in the left form

HINGE



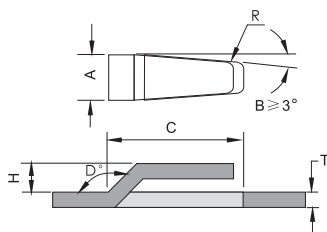
Machine _____
Material _____

A _____
B _____
C _____

D _____
T _____

1. Tooling is made for specific sheet metal thickness
2. Need prepunch
3. First for curling, second for forming
4. Form up only
5. Thickness: $T \leq 2.0\text{mm}$ [0.08"] (Mild steel)
 $T \leq 1.5\text{mm}$ [0.06"] (Stainless steel)
6. Please fill in the left form

LANCE & FORM

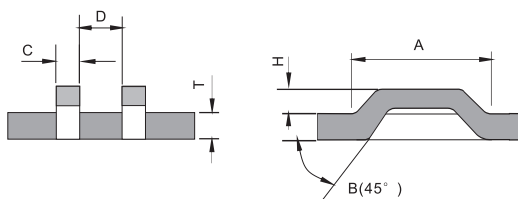


Machine _____
Material _____

A _____ C _____ R _____
B _____ D _____ H _____ T _____

- Tooling is made for specific thickness, can not use thicker material, otherwise the tool will be damaged.
- Please fill in the left form

BRIDGE

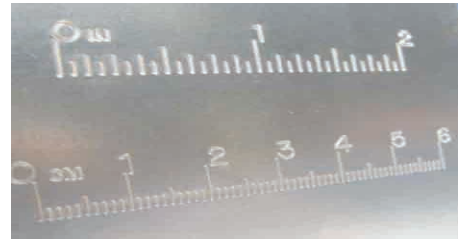


Machine _____
Material _____

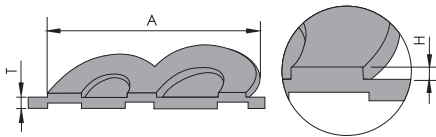
A _____ D _____
B _____ H _____
C _____ T _____

- Can be designed in single or double bridge
- Form up & Form down
- Width of the Bridge $C \geq 2T$ and $C \geq 1.8\text{mm}$ [0.07"]

MULTI SCRIBE



- Forbid punching without sheet
- Required special control program for the machine
- Form down only

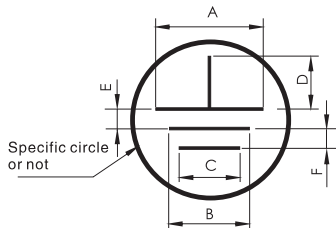


Machine _____
 Material _____
 A _____
 H _____
 T _____



STAMPING

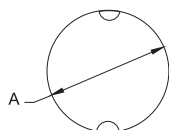
1. Form up or Form down
2. Please fill in the left form



Machine _____
 Material _____
 A _____
 B _____
 C _____
 D _____
 E _____
 F _____
 G_(width) _____
 H_(depth) _____

1. Forbid punching without sheet
2. Adjust the height of the tool to change the depth when punching
3. Form up or Form down
4. Please fill in the left form

KNOCKOUT

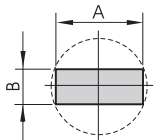
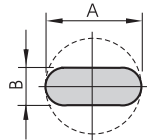
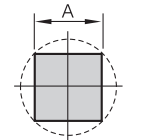
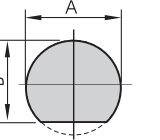
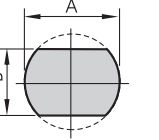
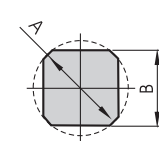
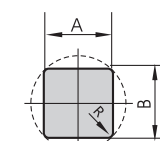
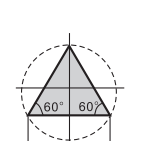
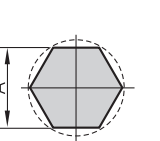
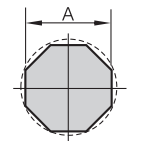


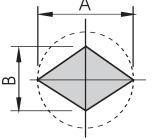
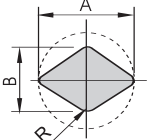
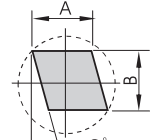
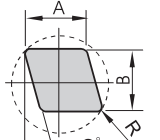
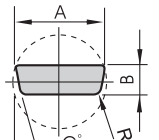
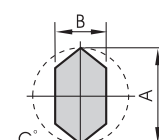
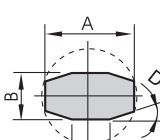
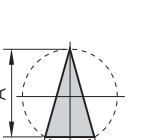
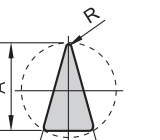
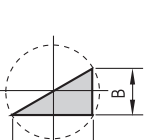
Machine _____
 Material _____
 A _____
 T _____

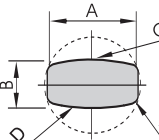
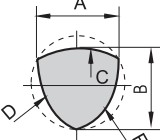
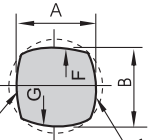
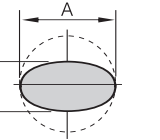
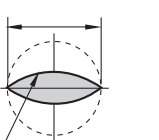
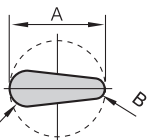


- For small thickness range only
- Changeable insert for another size, save cost

SHAPE CLASSES

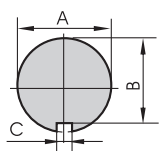
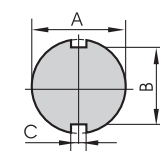
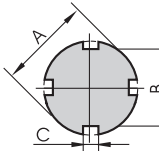
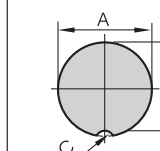
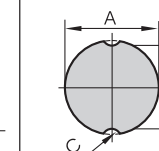
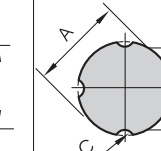
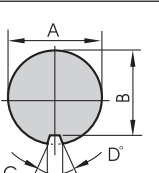
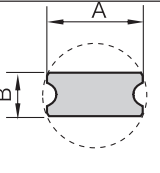
STANDARD SHAPE					
	Code: RE Name: Rectangle Size: B/A	Code: OB Name: Oblong Size: B/A	Code: SQ Name: Square Size: A	Code: SD Name: Single D Size: B/A	Code: DD Name: Double D Size: B/A
					
	Code: QD Name: Quad D Size: B/A	Code: QR Name: Quad R Size: B/A/R	Code: ET Name: Equilateral Triangle Size: A	Code: HX Name: Hexagon Size: A	Code: OT Name: Octagon Size: A

GROUP A					
	Code: A0 Name: Diamond Size: B/A	Code: A1 Name: Diamond Size: B/A/R	Code: A2 Name: Diamond Size: B/A/C	Code: A3 Name: Diamond Size: B/A/C/R	Code: A4 Name: Cable Connector Size: B/A/C/R
					
	Code: A5 Name: Six Edges Size: B/A/C	Code: A6 Name: Eight Edges Size: C/B/A/D	Code: A7 Name: Triangle Size: B/A	Code: A8 Name: Triangle w/R Size: A/B/R	Code: A9 Name: Right Triangle Size: B/A

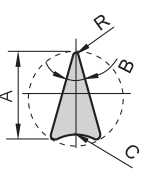
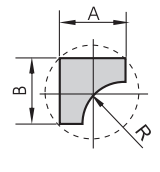
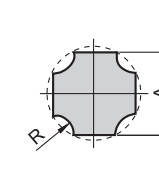
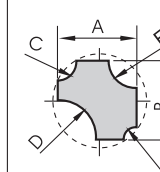
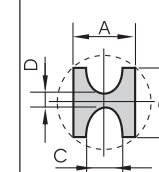
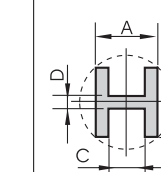
GROUP B						
	Code: B0 Name: Double R Size: B/A/C/D/R	Code: B1 Name: Tri-R Size: B/A/C/D/E	Code: B2 Name: Quad-R Size: B/A/D/E/F/G	Code: B3 Name: Ellipse Size: B/A/C/R	Code: B4 Name: Football Size: A/B	Code: B5 Name: Key Hole Size: A/B/C

SPECIAL SHAPE	Special shape follows the attached drawing
	CODE: FT

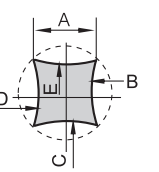
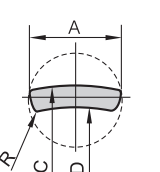
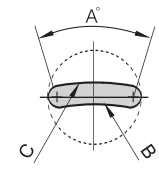
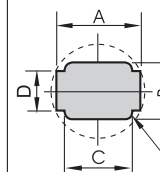
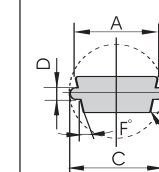
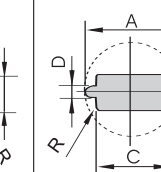
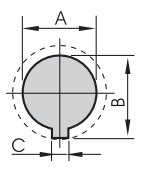
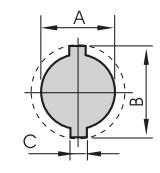
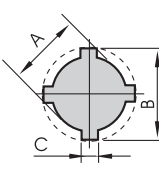
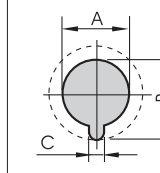
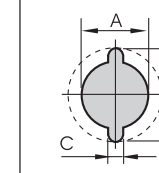
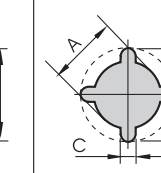
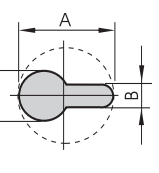
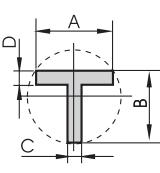
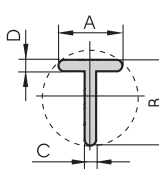
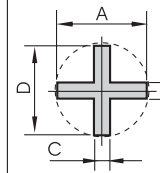
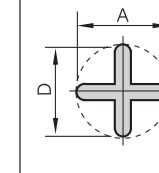
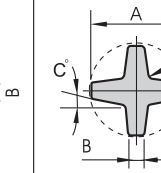
GROUP C

					
Code: C0 Name: Key Way Size: C/B/A	Code: C1 Name: Double Key Way Size: C/B/A	Code: C2 Name: Quad Key Way Size: C/B/A	Code: C3 Name: Key Way Size: C/B/A	Code: C4 Name: Key Way Size: C/B/A	Code: C5 Name: Key Way Size: C/B/A
					
Code: C6 Name: Key Way Size: C/B/A/D	Code: C7 Name: Micro-joint Size: B/A				

GROUP D

					
Code: D0 Name: Triangle w/R Size: A/B/C/R	Code: D1 Name: One way radius Size: B/A/R	Code: D2 Name: Four way radius Size: A/R	Code: D3 Name: Four way radius Size: A/B/C/D/E/F	Code: D4 Name: H w/radius Size: D/C/B/A	Code: D5 Name: H shape Size: D/C/B/A

GROUP E F

					
Code: E0 Name: Four radius Size: A/B/C/D/E	Code: E1 Name: Banana Size: A/C/D/R	Code: E2 Name: Banana Size: B/C/A	Code: E3 Name: Connector Size: D/B/C/A/R	Code: E4 Name: Connector Size: D/B/A/C/F/R	Code: E5 Name: Connector Size: D/B/C/A/R
					
Code: E6 Name: Key Hole Size: C/A/B	Code: E7 Name: Key Hole Size: C/A/B	Code: E8 Name: Key Hole Size: C/A/B	Code: F0 Name: Key Hole Size: C/A/B	Code: F1 Name: Key Hole Size: C/A/B	Code: F2 Name: Key Hole Size: C/A/B
					
Code: F3 Name: Key Hole Size: B/C/A	Code: F4 Name: T shape Size: D/C/B/A	Code: F5 Name: T shape Size: D/C/A/B	Code: F6 Name: Cross Size: C/B/D/A	Code: F7 Name: Cross Size: B/A/D	Code: F8 Name: Cross Size: B/A/C/D/R

KETEC[®]

Ketec Precision Tooling Co., Ltd

Add: No.7,Lifeng Road., Mingzhu Industrial Park,Conghua, Guangzhou, China

P.O.Box: 510931

Tel: 0086 20 37965500 Fax: 0086 20 37965133

E-mail:international@ketectool.com

Http://www.ketectool.com



WeChat of KETEC PRECISION TOOLING

More about KETEC PRECISION TOOLING, please enter

KETEC has certified by the ISO 9001:2008 quality management system

KETEC-2016-CT